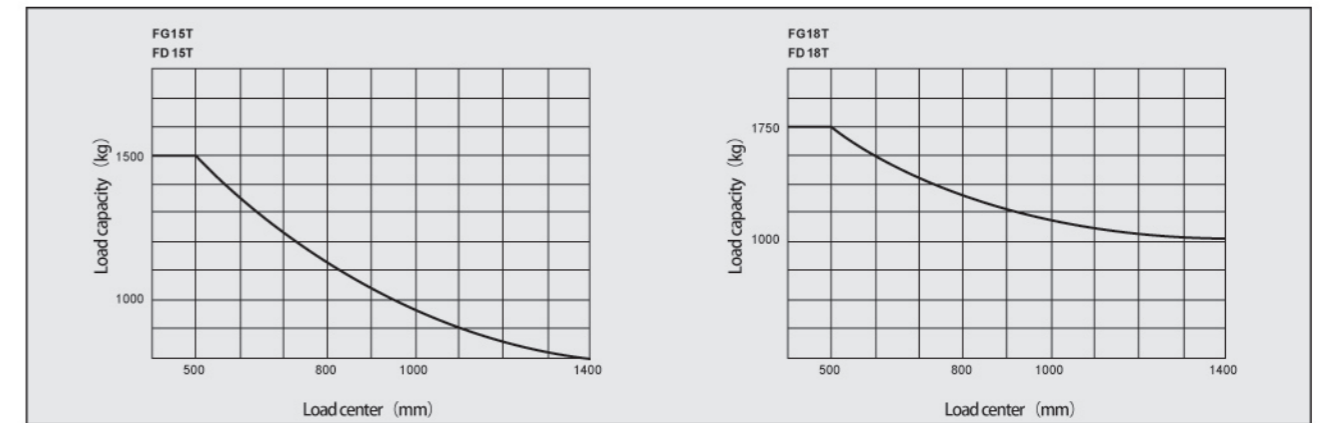


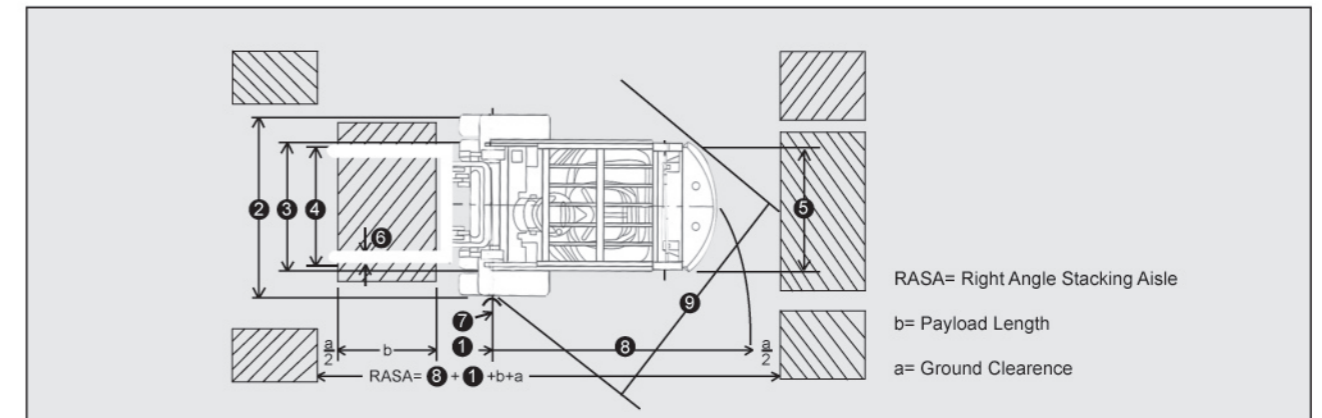
■ Main Truck Specifications

		KBZ							
		Power shift T/M	FD15T	FD18T	FG15T	FG18T			
Specifications	1	Manufacturer							
	2	Model	Power shift T/M	FD15T	FD18T	FG15T	FG18T		
	3	Load capacity	kg	1500	1750	1500	1750		
	4	Load center	mm	500		500			
	5	Power unit		Diesel		Gasoline / LPG			
	6	Operator type		Driver / seat		Driver / seat			
	7	Tire type	Front/rear	Pneumatic		Pneumatic			
	8	Wheels	Front/rear	2/2		2/2			
Dimensions	9	Max.lifting height (VM300)	mm	3000		3000			
	10	Free lift (VM300)	mm	155		155			
	11	Fork size	L × W × T	920 × 100 × 35		920 × 100 × 35			
	12	Tilt range	Mast forward / Back ward	6/12		6/12			
	13	Overall length (without)	mm	2245	2275	2245	2275		
	14	Total width	mm	1070		1070			
	15	Mast height (VM300 fork lowering)	mm	1995		1995			
	16	Overall height fork raised (VM300 with backrest)	mm	4045		4045			
	17	Height of head guard	mm	2060		2060			
	18	Turning radius (outside)	mm	2040	2070	2040	2070		
	19	Load distance(front face of fork to front axle)	mm	395		395			
	20	Min. right angle stacking aisle(not add load length&clearance)	mm	2435	2465	2435	2465		
Performance	21	Max.Travelling	full	km/h	14		14		
			no load	km/h	14.5		14.5		
	22	Speed	Lifting	full	mm/s	440	410	450	420
				no load	mm/s	500		450	
	23	Lowering	full	mm/s	370	350	330	330	
no load			mm/s	530		520			
24	Max.drawbar pull	full/no load	kg	1130/690		1420/690			
25	Gradeability at 1.6km/h	full/no load	%	21/18	18/16	20/18	18/17		
Weights	26	Truck weight	kg	2550	2780	2520	2740		
	27	Weight distribution	Full load	front	kg	3580	3950	3560	3930
				rear	kg	470	560	460	560
	28	No load	front	kg	1110	1070	1090	1050	
rear			kg	1440	1710	1430	1690		
Chassis & Wheels	29	Front wheel		6.50-10-10PR		6.50-10-10PR			
	30	Rear wheel		5.00-8-10PR		5.00-8-10PR			
	31	Wheelbase	mm	1425		1425			
	32	Tread	Front	mm	890		890		
			Rear	mm	900		900		
	33	Ground clearance	At lowest point (mast)	mm	115		115		
Frame			mm	105		105			
34	Brake	Service brake		Hydraulic - foot pedal		Hydraulic - foot pedal			
		Parking brake		Mechanical - hand lever		Mechanical - hand lever			
Drive Line	35	Battery	Voltage / capacity	V/AH	12/80	12/60			
	36	Engine	Model		C240	K21			
			Rated power	KW/rpm	34.3/2500	31.2/2250			
			Rated torque	N-m/rpm	138/1800	144/1600			
			Number of cylinder		4	4			
	37	Fuel tank capacity	L	50		50			
	38	Transmission	Speed forward / backward	Power shift T/M	1-1Power shift T/M	1-1Power shift T/M			
39	Operating pressure	Hydraulic system pressure	kg/cm ²	180	180				



Notes:

Vertical axis represents load capacity; Horizontal axis shows load center, Load center are determined from front face of the fork. Capacity based on a 1000mm cube load configuration with the center of gravity at the true center of the cube, and standard fork. The load capacity will be reduced while the mast tilt forward or loading with long fork or lifting transformable width of goods. Getting the load capacities at the various load centers timely via the load curve. KBZ's products and specifications change without prior notice. KBZ forklift truck has equipped with standard safety device. KBZ is not responsible for the damage occurred by removing its safety device.



Specifications(front single tires)

Model	FG/D15T	FG/D18T
	(mm)	(mm)
① Front Overhang	395	395
② Total Width	1070	1070
③ Front Track	890	890
④ Fork Spread (outside)	200~920	200~920
⑤ Rear Track	900	900
⑥ Fork Width	100	100
⑦ Turning Radius (inside)	110	110
⑧ Turning Radius (outside)	2040	2070
⑨ Right Angle Turning Aisle	1840	1870

Standard equipments:

Wide view mast, Cyclone air cleaner, Load one-way valve, Preheat indicator, King Pin, Engine-start switch, Standard backrest, Long-life tires, Overhead guard, Oil and water separator, Power steering, Adjustable steering column, Radiator water tank, Side roller, Standard carriage. Oil temperature cooler, Headlamp and steering indicator lamp, Charge indicator lamp, Hour meter, Oil warning light of engine. Water temperature gauge, Fuel gauge, Reversing light, Electric horn, Neutral-safety switch, Rear mirror, Tools, Reversing Buzzer, General seat.

Options:

Fire extinguisher, cab, Heater unit, Rear work light, Solid tires, Fireproof silencer, Upper exhaust pipe, Tilt cylinder jacket, Rotating warning light, LPG Conversion device, Pre-filtration air intake device.

Attachments:

Side shifter, Fork positioned, Carpet boom, Fork extension, Long fork Flat clamp, Others